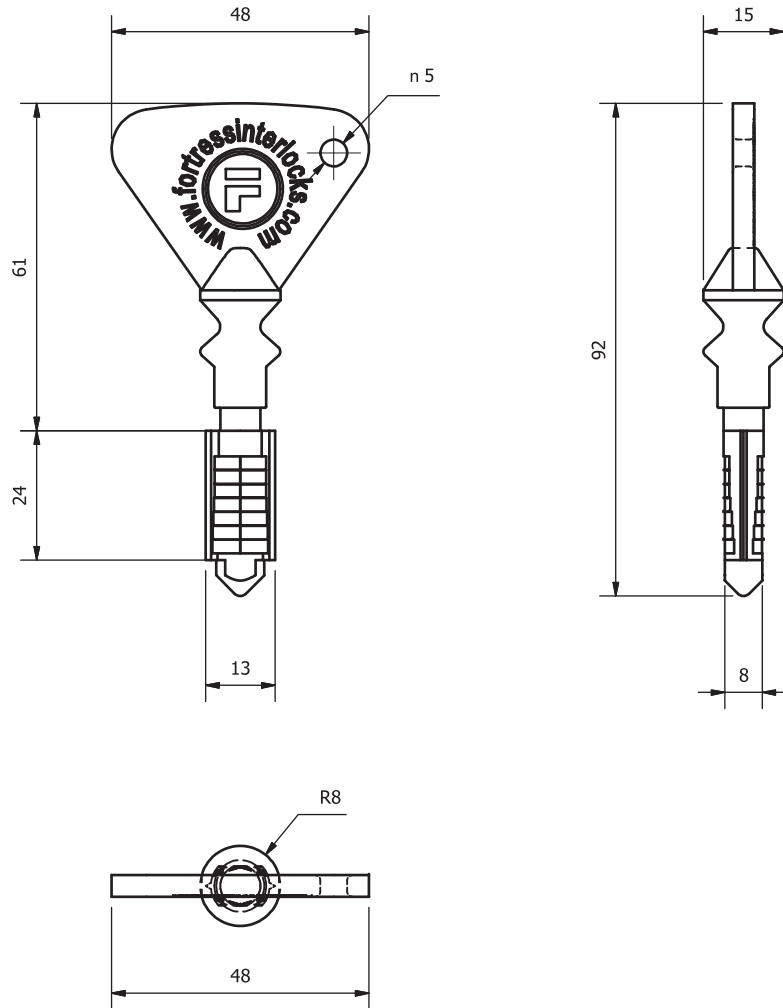


SPECIFICATION SHEET

THE DEEBAR CL FORTRESS KEY



TECHNICAL DATA

Standard Fortress Key for use on all CL lock types.

The Fortress Key range is available in 200 000 different combinations.

The Key is manufactured from Stainless Steel.


Rubber seal added to prevent Dust entering lock.

Keys can be engraved with customers specific details.



REVISION HISTORY

DESCRIPTION	REV	DATE	INITIAL	APPROVED
SENT FOR APPROVAL	00	14/12/2008	B.S	

Drawing by: C.ELLIS	Checked by: M.NIEMANN	Approved by: B.SOEKOE	Date: 2013/07/25	REV: 00	Scale: 1 : 1
 COPYRIGHT: This drawing is the property of DEEBAR and is not to be used wholly or in part prior to written consent of the company.			FORTRESS KEY		
Drawing No: 3600.00		Edition: 00		Sheet: 1	