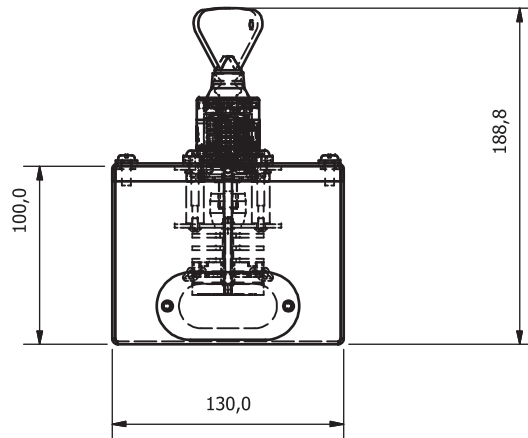
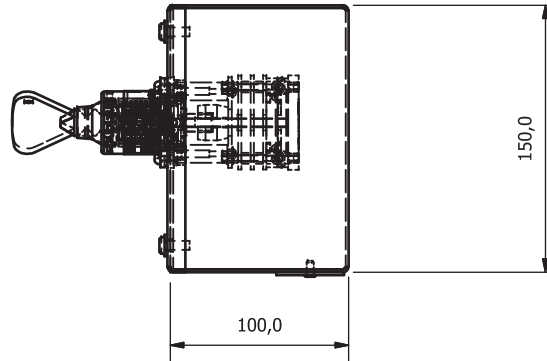
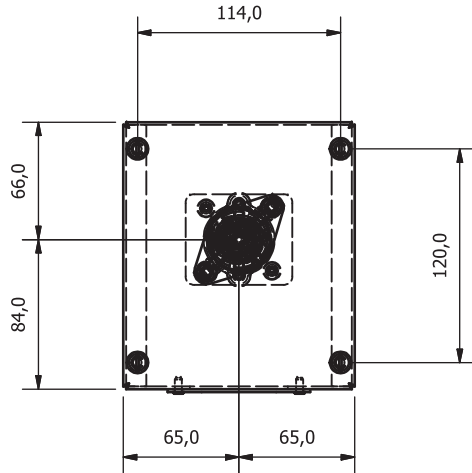


# THE FORTRESS KEY SWITCH IN ENCLOSURE DATA SHEET

The SE unit is suitable for isolation or switching current and may be used to isolate power to machinery.


- Direct drive operation - positively opens contacts.
- The standard sequence is: **Key trapped - Power on, Key free - Power off.** (other sequences can be specified)
- Special Switch ratings and/or contact arrangements available on request.
- Robust metal enclosure.
- IP 65 / 66 / 67 rated.



SPECIAL NOTE		
FEATURE:	DISCRIPTION:	COMMENT:
MATERIAL:	STAINLESS STEEL	3CR12
COATING:	POWDER COATED	ELECTRIC ORANGE
THICKNESS:	1.6MM	

## REVISION HISTORY

DESCRIPTION	REV	DATE	INITIAL	APPROVED
SENT FOR APPROVAL	00	20/07/2015	B.S	

Drawing by: E.Koekemoer	Checked by: B.Soekoe	Approved by: D.B.Soekoe	Date:	REV: 00	Date: 2015/07/20	Scale: NTS
 COPYRIGHT: This drawing is the property of DEEBAR and is not to be used wholly or in part prior to written consent of the company.		KEY SWITCH IN ENCLOSURE				
Drawing No: 9507.00			Edition: 00	Sheet: 1		